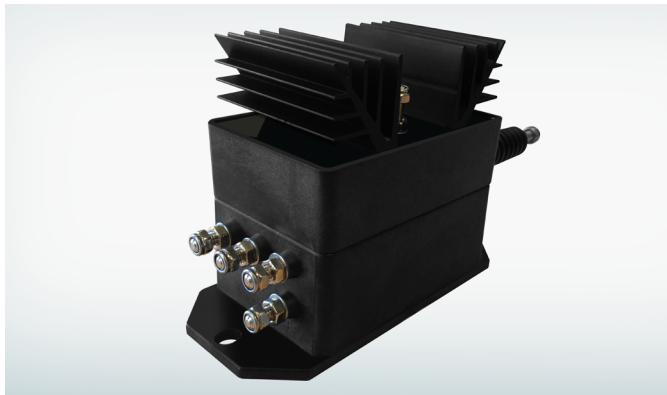
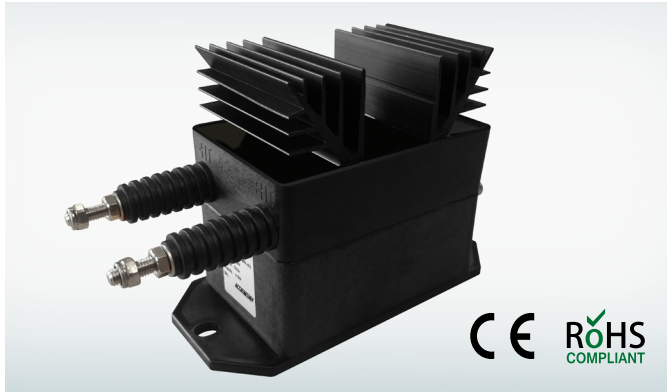
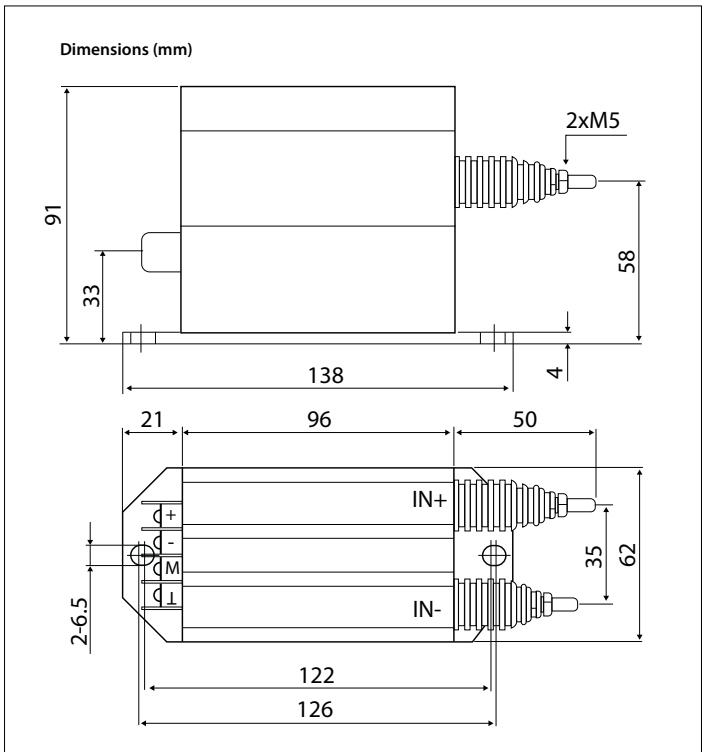


# DC Voltage Hall Effect Sensor

Accuenergy's HV2 Voltage Hall Effect sensor is able to measure the DC voltage when the system voltage is higher than 1000V. The output signal is 0-5Vdc.



## DIMENSIONS



## SPECIFICATIONS

Rated input	1000V, 1200V, 1500V
Rated Output	0-5Vdc
Accuracy	0.5%
Power Supply	+/-15V(AcuDC 240 series multifunction DC Meter provides power supply from module directly without separate sourcing of power, select X5 module)

## ORDERING INFORMATION

	Model	Current Input Rating	Output Option
Ordering Number			
Ordering Example	HV2	- 1000	- A3
		1000:1000V	A3: 0-5V
		1200: 1200V	
		1500:1500V	



**Accuenergy Corp.**

Los Angeles - Toronto - Beijing - Pretoria

North America Toll Free: 1-877-721-8908

Web: [www.accuenergy.com](http://www.accuenergy.com)

Email: [marketing@accuenergy.com](mailto:marketing@accuenergy.com)

**ACCUENERGY**  
MAKE ENERGY USAGE SMARTER