

Shunt Series 50A DC Current Shunt

Accuenergy's line of DC current shunts are specially built to measure electrical DC current systems. The principle of a shunt current measurement relies on the small voltage drop from a high precision resistor placed in series with the load. When connected to DC power meters it provides accurate energy measurements in various applications for renewable energy, mass transit, battery chargers, electric vehicles, welding, heavy industries and OEMs.

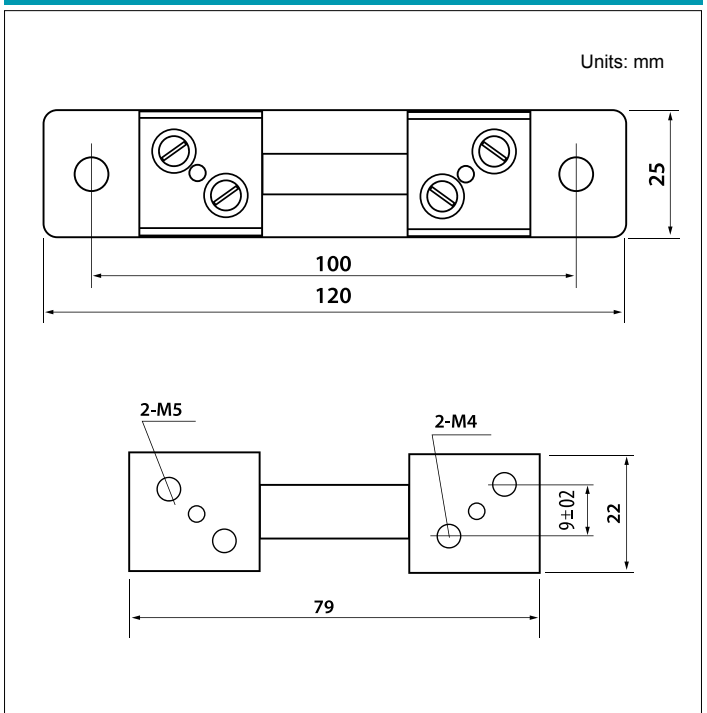


SPECIFICATIONS

Accuracy	0.5%
Voltage drop	75mV
Operational Temperature	-40 to +60°C
Overload	120% of nominal current (2 hours)
Shunt Temperature with load current	< 80°C when Load current < 50A < 120°C when Load current > 50A

Note: Load rate current is not suggested to be larger than 80% of shunt rating.

DIMENSIONS



ORDERING INFORMATION

	Model	Rated input	Voltage drop
Ordering Number	<input type="text"/>		
Ordering Example	Shunt -	50A	- 75mV



Accuenergy Corp.

Los Angeles - Toronto - Beijing - Pretoria
 North America Toll Free: 1-877-721-8908
 Web: www.accuenergy.com
 Email: marketing@accuenergy.com

