

ACUMESH - WIRELESS RS485 NETWORK

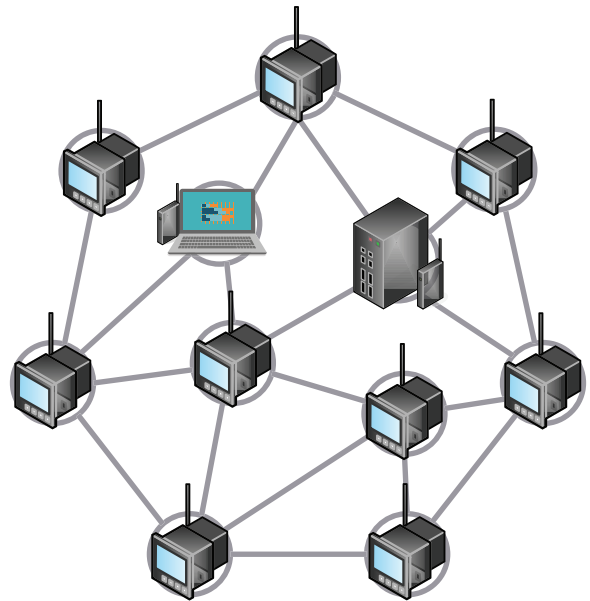
The AcuMesh wireless metering solution is designed to connect energy meters and any devices by communicating with RS485 wirelessly. AcuMesh is a cost-effective solution that eliminates the need for installation of communication wires. Saving premium time, labour, and reducing the challenges of retrofit applications.

KEY FEATURES

- All devices are connected automatically upon powering up without configuration, no software required.
- Compatible with devices running any protocols via RS485 port, e.g. Modbus-RTU.
- Highly secure communication with 128 bit Advanced Encryption Standard (AES).
- Advance configuration available for complex network setup with free software.
- Communicate wirelessly between power and energy meters, and any devices with RS485 running any protocol within a building or campus.
- Field upgradable firmware.
- Long-range communication: 1000 ft (305m) indoor / 4 Miles (6.5km) outdoor in a single hop.
- "Mesh" network structure allows each transceiver to act as extension points for the network, allowing for a longer range of communication.
- Point to multi-point communication enabled with "mesh" structure.
- Automatic self-healing and optimizing communication pathway with reliable "mesh" network structure.
- Available in 900MHz and 868MHz frequency. Compatible for most countries and regions.
- Available in Din-Rail, Wall mount or Surface mount form factor.



WIRELESS RS485 NETWORK



ACUMESH - WIRELESS METERING SYSTEM

The AcuMesh transceiver provides the capability to wirelessly transmit data from energy meters and other devices with RS485 communication remotely, allowing you to conveniently gather metering data from multiple locations within a building, or multiple buildings within a compound.

AcuMesh communication works out-of-box when connected to a meter or other MODBUS device. The automatic self-healing, self-optimizing network allows transceivers to find the optimal pathway for communication where other wireless methods such as Wifi and Zigbee failed to work.



Accuenergy Corp.

Los Angeles - Toronto - Beijing - Pretoria
North America Toll Free: 1-877-721-8908
Web: www.accuenergy.com
Email: marketing@accuenergy.com



KEY SPECIFICATIONS

	AcuMesh-K Wireless Transceiver Kit	AcuMesh-L Wireless Transceiver Kit	
Part Number	AcuMesh-K	AcuMesh-L-868	AcuMesh-L-900
Compatible Countries / Regions	North and South America, Oceania, part of Asia. International Telecommunication Union Region 2 and 3	Europe, Middle East, Africa, part of Asia. International Telecommunication Union Region 1	North and South America, Oceania, part of Asia. International Telecommunication Union Region 2 and 3
Connection	RS485 screw terminal, USB mini-B (power supply and/or configuration)		
Serial Baud Rate Range	9600 - 230400		
RF Properties			
Operating Frequency Band	902 to 928 MHz (900 Mhz ISM Band)	863 to 870 MHz Configurable band	902 to 928 MHz (900 Mhz ISM Band)
Number of Channels	64	30 channels, Listen Before Talk (LBT) + Automatic Frequency Agility (AFA)	64
Spread Spectrum	Frequency Hopping		Frequency Hopping
Transmit Power Output	24 dBm (250 MW)	14 dBm (50 mW)	24 dBm (250 MW)
Receiver Sensitivity		-101 dBm	
Indoor/Urban Range	Up to 1000' (305 m)	Up to 275' (84 m)	Up to 1000' (305 m)
Outdoor RF Line-of-Sight Range	Up to 4 miles (6.5 km) with 2.1 dB dipole antennas	Up to 2.6 miles (4.2km) with 2.1 dBi antenna	Up to 4 miles (6.5 km) with 2.1 dB dipole antennas
RF Data Rate	Up to 200 kb/s	Up to 80 kb/s	Up to 200 kb/s
Antenna			
Impedance	50 ohms unbalanced		
Networking and Security			
Supported Network Topologies	Mesh, point-to-point, point-to-multipoint, peer-to-peer		
Addressing Options	Personal Area Network Identifier (PAN ID) and 64-bit MAC add addresses		
Encryption	128 bit Encryption Standard (AES)		
Power Requirements	Power supply included	Power supply included in kit	
Power Supply	7-30 Vdc	24 Vdc Din-Rail Mount	
Power Supply Range	7-30VDC power		
Receive Current	0.54 mA		
Transmit Current	1.26 mA		
Physical Properties			
Size	4.5 x 2.75 x 1.125 in. (11.4 x 7.0 x 2.9 cm)	3.54 x 2.1 x 1.26 inch (9 x 5.3 x 3.2 cm)	
Weight	150g	80g	
Mounting	Surface mount	Din-Rail or Wall Mount	
Includes	Transceiver, Antenna, Power Supply		
Certification	United States (FCC Part 15.247)	ETSI (Europe)	United States (FCC Part 15.247)
	Industry Canada (IC)		Industry Canada (IC)
	Australia C-Tick		Australia C-Tick

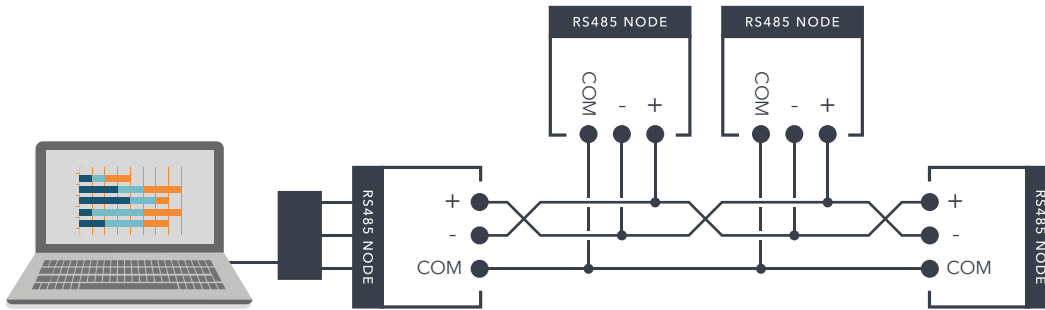


Accuenergy Corp.

Los Angeles - Toronto - Beijing - Pretoria
 North America Toll Free: 1-877-721-8908
 Web: www.accuenergy.com
 Email: marketing@accuenergy.com

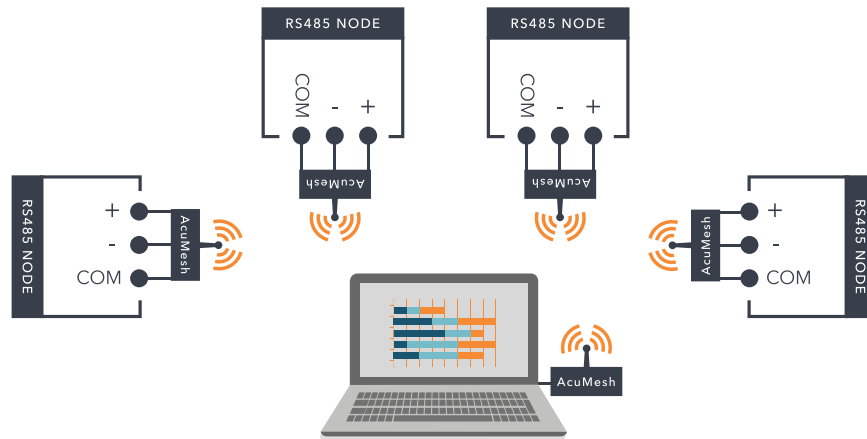


WHAT IS A MESH NETWORK?



TRADITIONAL RS485 NETWORK

In a traditional RS485 network, each device requires three wires, +, - and common (shield). All devices in same network need to be daisy-chained together from the first device to last to form a complete connection. The wiring process is labour-intensive and tends to be a challenge in most retrofit projects.



PC or Any Master Device

WITH ACUMESH

The AcuMesh wireless RS485 network solution completely eliminates the need for RS485 communication wiring. Each device, or group of devices can directly connect to an AcuMesh transceiver, and the job is done. The AcuMesh transceiver transparently runs with any protocol and transmits data and commands wirelessly within a network. The AcuMesh communicates from slave to master, from sensors and meters to data acquisition servers and gateways cost effectively and with minimal challenge.



Accuenergy Corp.

Los Angeles - Toronto - Beijing - Pretoria

North America Toll Free: 1-877-721-8908

Web: www.accuenergy.com

Email: marketing@accuenergy.com



ACUMESH APPLICATIONS

The AcuMesh was designed to expand the communications capabilities of meters and RS485 devices within any building, facility and infrastructure.

- Retrofit metering in existing buildings.
- Metering in campus.
- Metering in commercial buildings.
- Multi-tenant billing and submetering.
- Renewable energy-array, string and inverter metering.
- Industrial facilities metering.
- Data acquisition from entire infrastructure.



Accuenergy Corp.

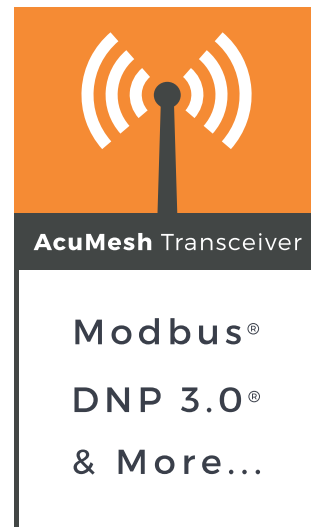
Los Angeles - Toronto - Beijing - Pretoria
North America Toll Free: 1-877-721-8908
Web: www.accuenergy.com
Email: marketing@accuenergy.com

ACCUENERGY
MAKE ENERGY USAGE SMARTER

COMPATIBILITY

The AcuMesh transceiver works with any device with a RS485 communication port running any communication protocol. For example, the most common protocol is Modbus. AcuMesh transceiver works with Modbus master, Modbus slave and data acquisition gateway, making the entire network wirelessly connected and reliable. The same compatibility applies to any other protocol running on RS485 network.

All Accuenergy meters can directly connect with the Mesh transceiver. We also designed the transceiver into a modular form that can directly plug-in to an Acuvim II power and energy meter.



Transparent communication. Compatible with any protocols via RS485.

ACUMESH VS. ZIGBEE & WIFI

The AcuMesh takes advantage of Mesh technology to boost its communication range.

	AcuMesh	ZigBee	WiFi
Relies on existing IT network range	No	No	Yes
Runs through walls	Yes	No	Yes
Range (Line of Sight)	6437 Meters	20 Meters	100 Meters
Mesh Structure	Yes	Yes	No

ORDERING INFORMATION

The AcuMesh wireless solution comes in a variety of options:

ACUMESH-K

Transceiver with 900MHz Frequency, Surface Mount.

ACUMESH-L-900

Transceiver kit with 900MHz Frequency, Din-Rail or Wall Mount.

ACUMESH-L-868

Transceiver kit with 868MHz Frequency, Din-Rail or Wall Mount.

The Wireless transceiver kit includes transceiver, whip antenna and power supply.

ANTENNA-2DB-3M-S

Magnetic mount antenna with 3m extension cable and adhesive cup base.

ANTENNA-2DB-WHIP

Whip Antenna that connects with AcuMesh transceiver (AcuMesh-K) or AcuMesh Module (AXM-Mesh)

Wireless transceivers can be connected to to any device with RS485 or USB port.



Accuenergy Corp.

Los Angeles - Toronto - Beijing - Pretoria
North America Toll Free: 1-877-721-8908
Web: www.accuenergy.com
Email: marketing@accuenergy.com

