

- RIK SERIES +

ROGOWSKI INTEGRATOR



333mV Rogowski Integrator Kit

333mV Flexible Current Transformer

KEY FEATURES

- Flexible rope-like current sensor, designed to easily fit into panels or busbars where space is limited
- 0-333mV rated output that works with any power meter or equipment with 333mV nominal current transformer input
- Current sensing range from 2.5A to 50,000A to fill all systems
- Field-configurable CT ratios: 500A, 1kA, 2.5kA, 10kA, 25kA, 50kA
- Individual CT ratios can be configured for each channel Works in any single phase application with different current ratings
- Works in both 50Hz and 60Hz systems



ISO9001 Certified

ACCUEVERGY

INTRODUCTION

The Accuenergy 333mV Rogowski Integrator Kit (RIK) provides users with an easy-to-install, plug-n-play solution to be used with any power meters or equipment with a 333mV nominal current transformer input. The 333mV Rogowski Integrator will allow the installation of Rogowski coil CTs in a variety of applications where space constraints may limit the use of other current transformers.

The 333mV RIK kit is designed with three independent channels of 0-333mV output integrator and includes with it three Accuenergy Rogowski coil current sensors.



SPECIFICATIONS

Current Measurement Range	2.5A - 60000A
Output	0-333mVac
Sensing Range	500A, 1000A, 2500A, 5000A, 10000A, 25000A and 50000A (Field Configurable)
Measurement Channels	3 or 1 (three-phase or single-phase)
Frequency	45Hz to 65Hz
Accuracy	±1% Full Scale Error
Channel Cross Talk	< -60dB
Maximum Operating Temperature	55°C (131°F)

POWER REQUIREMENTS

Supply Voltage	24V _{DC} ±5%
Supply Current	40mA _{DC} @ 24V _{DC}

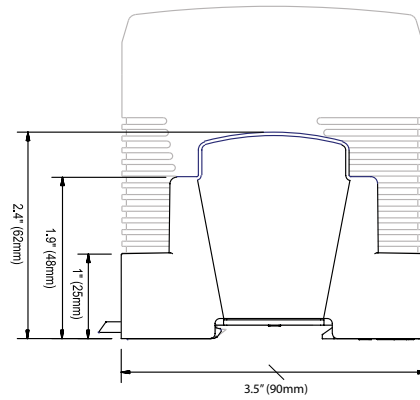
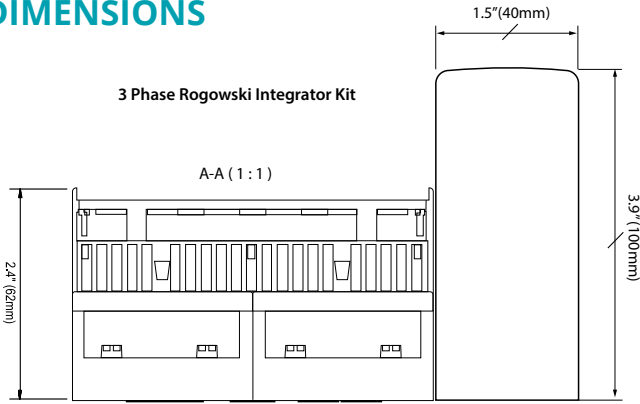
ACCESSORIES

Power Supply	100-240Vac
Mount Rail	DIN TS-35/7.5 or 15

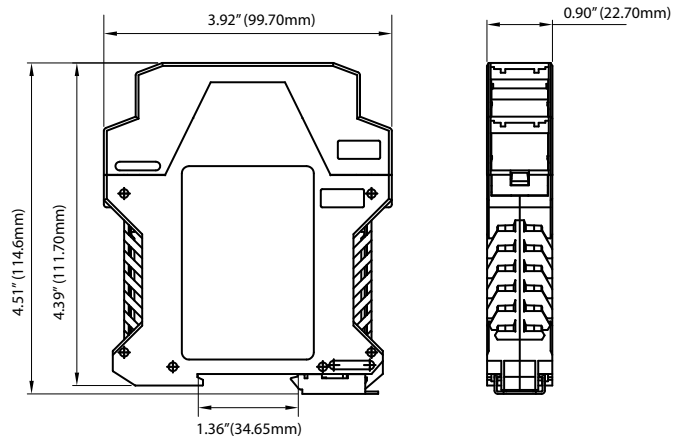
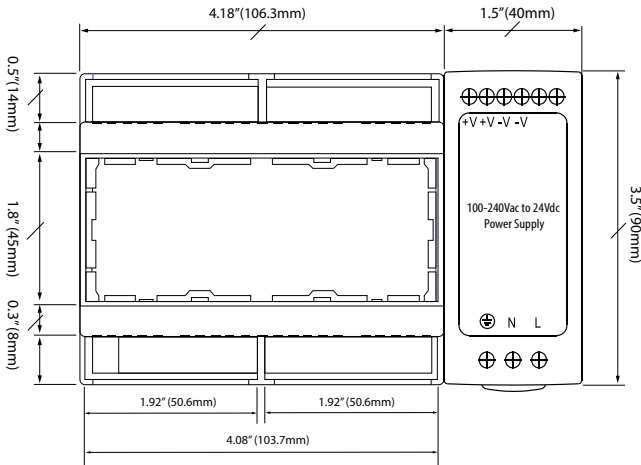
CURRENT RANGE CONFIGURATIONS

Primary Input (A _{RMS})	Sensing Range (A)	Output	CT Ratio
500	2.5 to 600	4-20mA or 0-20mA @500A	500:333
1000	5 to 1200	4-20mA or 0-20mA @1000A	1000:333
2500	12.5 to 3000	4-20mA or 0-20mA @2500A	2500:333
5000	25 to 6000	4-20mA or 0-20mA @5000A	5000:333
10000	50 to 12000	4-20mA or 0-20mA @10000A	10000:333
25000	125 to 30000	4-20mA or 0-20mA @25000A	25000:333
50000	250 to 60000	4-20mA or 0-20mA @50000A	50000:333

DIMENSIONS



Single Phase Rogowski Integrator Kit



ORDERING INFORMATION

Integrator Kit:

MODEL	DESCRIPTION
RIK47-333mV-1	Single channel 0-333mV Output Integrator with one 16 inch Rogowski Coil; 100-240Vac Din-Rail Power Supply
RIK47-333mV-1	Single channel 0-333mV Output Integrator with one 24 inch Rogowski Coil; 100-240Vac Din-Rail Power Supply
RIK47-333mV-1	Single channel 0-333mV Output Integrator with one 36 inch Rogowski Coil; 100-240Vac Din-Rail Power Supply
RIK47-333mV-1	Single channel 0-333mV Output Integrator with one 47 inch Rogowski Coil; 100-240Vac Din-Rail Power Supply
RIK16-333mV-3	Three channel 0-333mV Output Integrator with three 16 inch Rogowski Coil; 100-240Vac Din-Rail Power Supply
RIK24-333mV-3	Three channel 0-333mV Output Integrator with three 24 inch Rogowski Coil; 100-240Vac Din-Rail Power Supply
RIK36-333mV-3	Three channel 0-333mV Output Integrator with three 36 inch Rogowski Coil; 100-240Vac Din-Rail Power Supply
RIK47-333mV-3	Three channel 0-333mV Output Integrator with three 47 inch Rogowski Coil; 100-240Vac Din-Rail Power Supply



Accuenergy Corp.

Los Angeles - Toronto - Beijing - Pretoria
 North America Toll Free: 1-877-721-8908
 Web: www.accuenergy.com
 Email: marketing@accuenergy.com

